

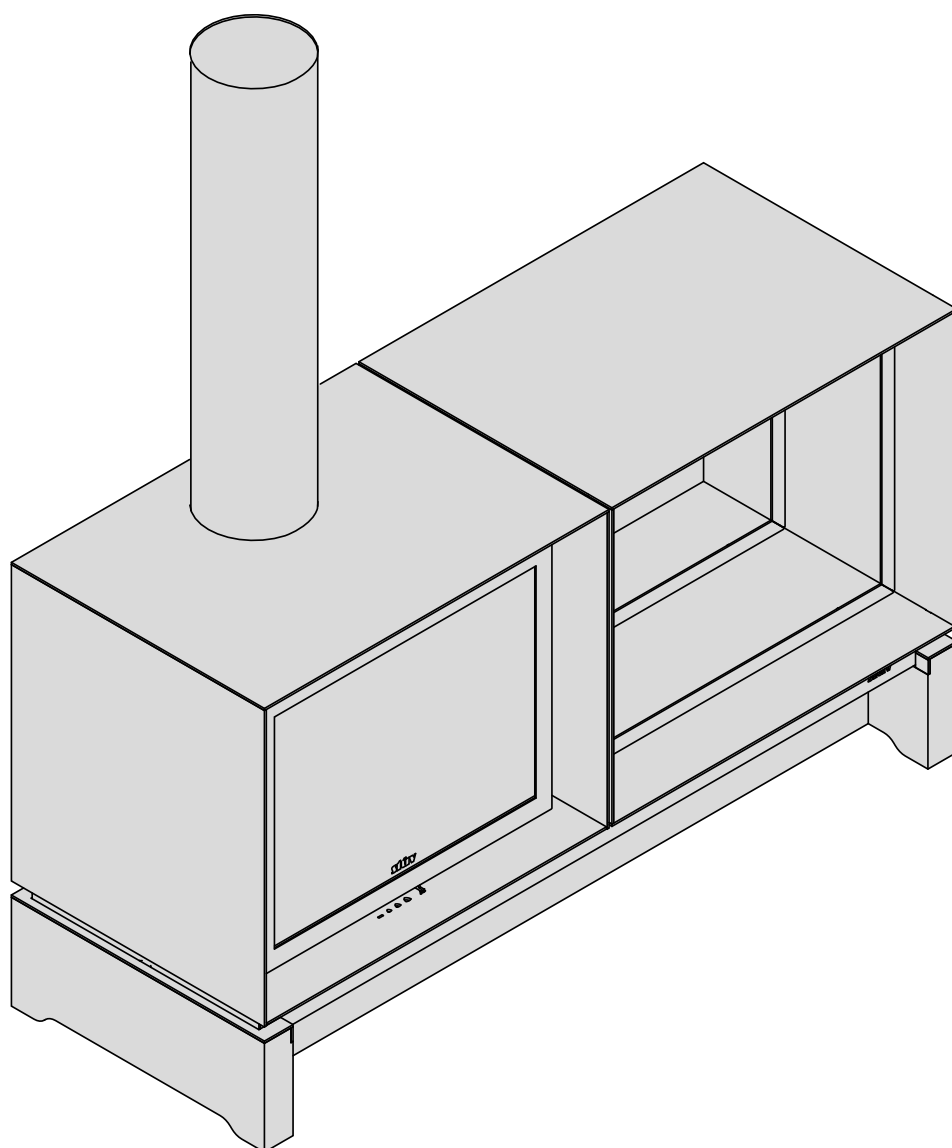
Installation instructions s[16]D4 freestanding

FOR PROFESSIONALS

[SN] 1658 : 257708 >...

[SN] 1668 : 246231 >...

[SN] 1678 : 251351 >...



Welcome to the world of Stûv

You have just opted for an eco-friendly, high-performance heating system.

We hope that you enjoy using it from this moment on.

You will find advice and the installation instructions in this document.

The operating instructions, which are on an additional leaflet, will guide you on the use and maintenance of your Stûv.

We highly recommend that you entrust the installation of this Stûv to a qualified professional who can especially check that the characteristics of the flue correspond to the installed stove.

The installation of the stove, its accessories and the materials which surround it must comply with all regulations (local and national) and all of the standards (national and European) of the country of installation.

Any changes made to the appliance can be dangerous.
In addition, the appliance will no longer be covered by its warranty.

We recommend that you read this manual before carrying out the installation.

Sommaire

General	6
1. Recommendations	6
2. Precautions regarding surrounding materials	6
3. Load-bearing capacity of the structure	6
4. Recommendations for dismantling, recycling and disposal of the appliance at the end of its life cycle	6
5. Legal terms and conditions for use	7
6. CE labeling	7
7. Safety distances to combustible materials	8
Presentation	9
1. Unpacking the product	9
2. Overview	10
3. Dimensions	11
3.1. Dimensions with optional wooden base	11
3.2. Dimensions for custom installations (order without optional wooden base)	12
Installation	13
1. Air intake installation	13
1.1. Lower air intake	13
1.2. Rear air intake	13
3. Wood base preparation (option)	14
3.1. Hole saw cutting (rear air intake only)	14
3.2. Fixing the feet	14
5. Placement of the metal base and the support plate	15
5.1. Definition of the niche side	15
5.2. Placement	16
7. Configuration four outside air supply	17
8. Placement of the stove on its support plate	18
9. Placement of the niche	21
10. Positioning of the flue outlet	22
11. Maintenance	23
Contact	23

General

1. Recommendations

Please read the installation and usage instructions before installing and using the product.

You should also follow the recommendations for using your stove.

This Stûv cladding should be installed by a professional who has received the appropriate training from the Stûv manufacturer or one of its importers.

Once the cladding has been installed, hand over these instructions to the user.

Signature of the delivery note implies the recipient's acceptance and acknowledgement that the goods are the ones that were ordered. It is therefore important to check it thoroughly at the time of delivery.

Follow the maintenance instructions.

Any change made to the cladding may be dangerous. Please follow the specific instructions.

Installation of the stove, its accessories and the surrounds must comply with all (local and national) regulations and all (national and European) norms.

2. Precautions regarding surrounding materials

The building materials around the device may reach temperatures of up to 85°. Please make sure that they can tolerate this temperature **both for their structural integrity and for the risk of dangerous emissions.**

It is essential that you comply with the maximum amount of wood to be burned per hour to prevent the device from overheating. This limit is provided in the installation instructions for the Stûv 16.

Follow the rules (local and national norms and regulations) for decompressing the chamber in which the device is installed.

3. Load-bearing capacity of the structure

Make sure the floor is strong enough to support the fireplace and its surround; If in doubt, consult a specialist.

4. Recommendations for dismantling, recycling and disposal of the appliance at the end of its life cycle

Stûv has a determinedly proactive responsible environmental approach. We think about the end-of-life of our products.



Each of the device's components can be isolated so that sorting can be carried out and therefore optimum recycling.

Removal of the various parts must be done in accordance with local and national regulations.

5. Legal terms and conditions for use

⚠ This appliance must not be used by children under 8 years of age.

⚠ This appliance may only be used by persons with reduced physical, sensory or mental capabilities if they are supervised or trained in the safe use of the appliance.

⚠ Cleaning and maintenance by the user must not be carried out by unsupervised children.

⚠ Children must not play with the appliance! Some parts of the fireplace - the glass and the outer walls - can be very hot even in normal use (rated power) and the radiation from the glass can be high.



6. CE labeling

CE

Stûv sa
B-5170 Bois-de-Villers (Belgique)

QA161322918
EN 13240: 2001 / A2: 2004

Stûv 1658 D4-freestanding

Minimum safety distance from adjacent combustible materials:
 – behind: 35 cm
 – on the sides: 25 cm
 – below: 0 cm

Recommended fuel:
wood logs only

CO emissions: < 0,09%

Average smoke temperature at rated power: 283°C

Nominal heat power: 7 kW

Efficiency: 78%

Particle emissions: 11 mg/Nm³

CE

Stûv sa
B-5170 Bois-de-Villers (Belgique)

QA161322918
EN 13240: 2001 / A2: 2004

Stûv 1668 D4-freestanding

Minimum safety distance from adjacent combustible materials:
 – behind: 30 cm
 – on the sides: 15 cm
 – below: 0 cm

Recommended fuel:
wood logs only

CO emissions: < 0,10%

Average smoke temperature at rated power: 281°C

Nominal heat power: 7.5 kW

Efficiency: 77%
Particle emissions: 19 mg/Nm³

CE

Stûv sa
B-5170 Bois-de-Villers (Belgique)

QA161322918
EN 13240: 2001 / A2: 2004

Stûv 1678 D4-freestanding

Minimum safety distance from adjacent combustible materials:
 – behind: 30 cm
 – on the sides: 15 cm
 – below: 0 cm

Recommended fuel:
wood logs only

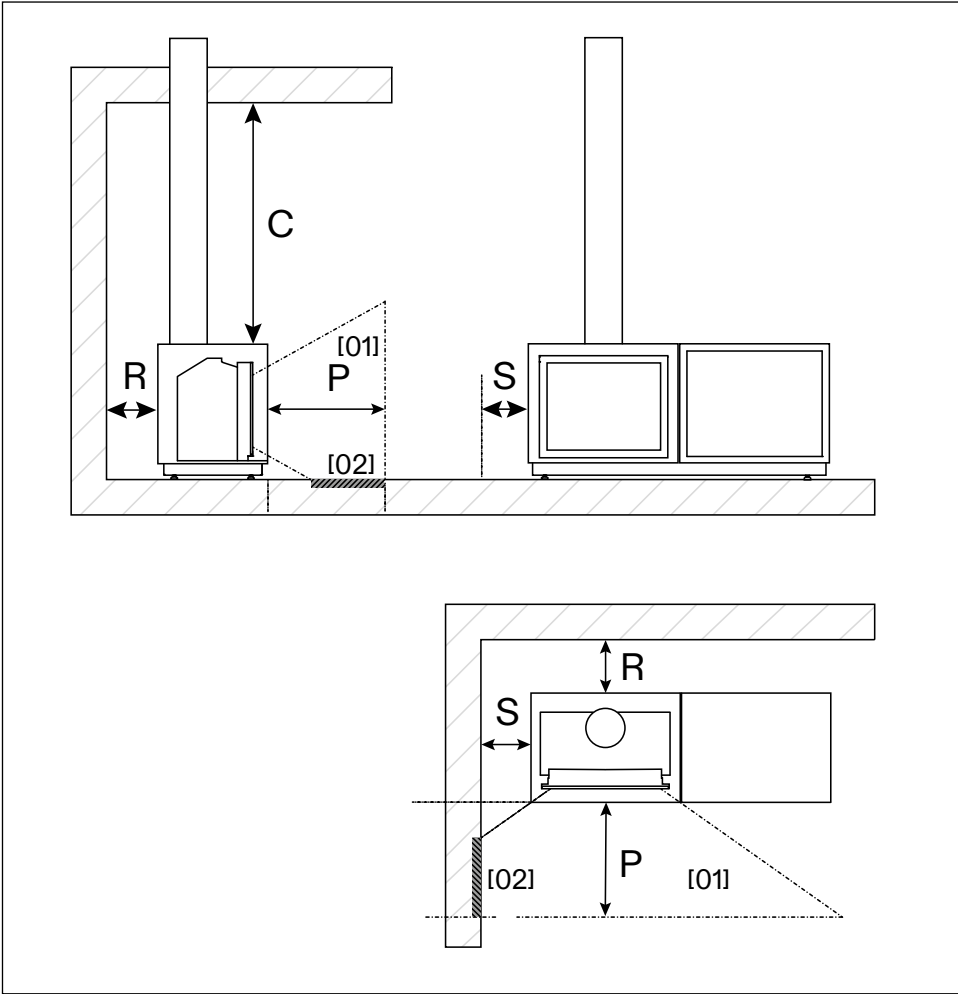
CO emissions: < 0,09%

Average smoke temperature at rated power: 318°C

Nominal heat power: 8 kW

Efficiency: 75%
Particle emissions: 13 mg/Nm³

7. Safety distances to combustible materials (cm)



	1658	1668	1678
P = Front	150	150	150
C = Ceiling	75	75	75
S = Sides	25	15	15
R = Behind	35	30	30
F = Floor	75	75	75

[01] = Radiation zone

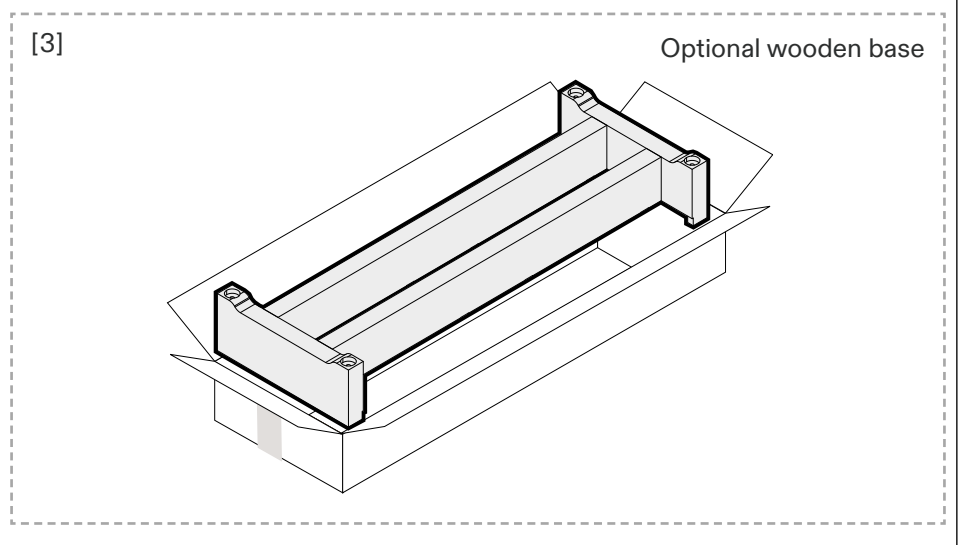
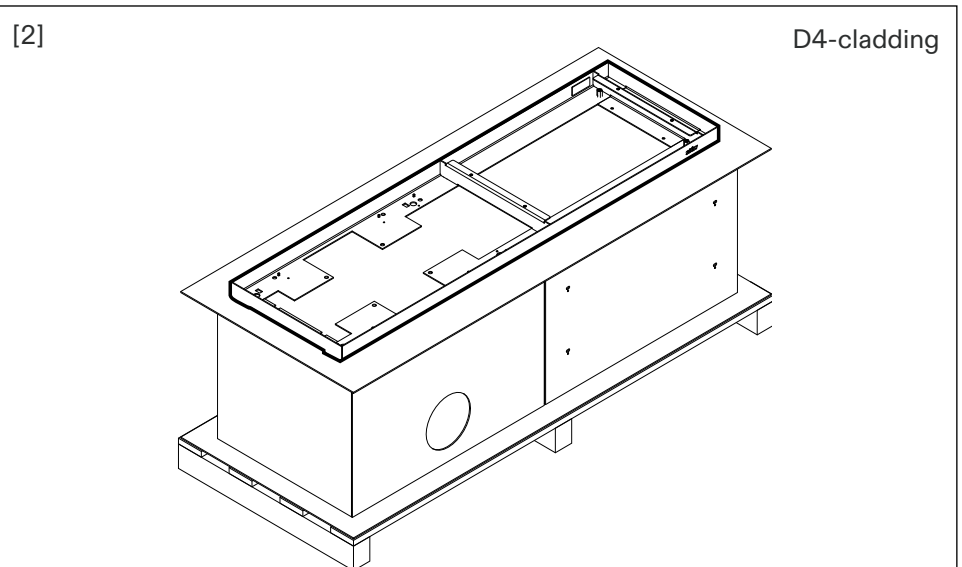
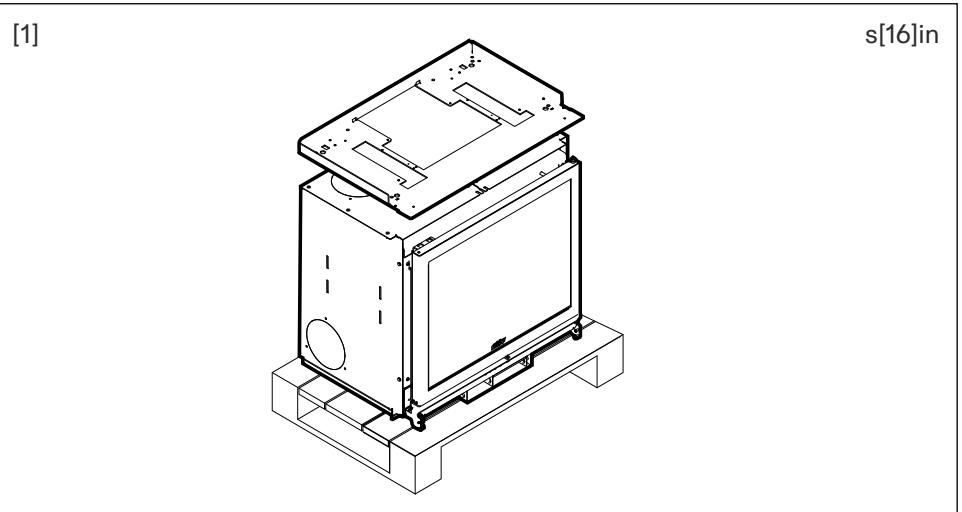
[02] = Critical radiation exposure zone

Presentation

1. Unpacking the product

The Stûv 16D4 free-standing stove consists of two kits:

- [1] your **Stûv 16in kit** including the stove and its support plate.
- [2] your **D4-freestanding cladding kit** including:
 - the cube cladding,
 - the wood log storage,
 - the metal base,
 - the optional wooden base [3]



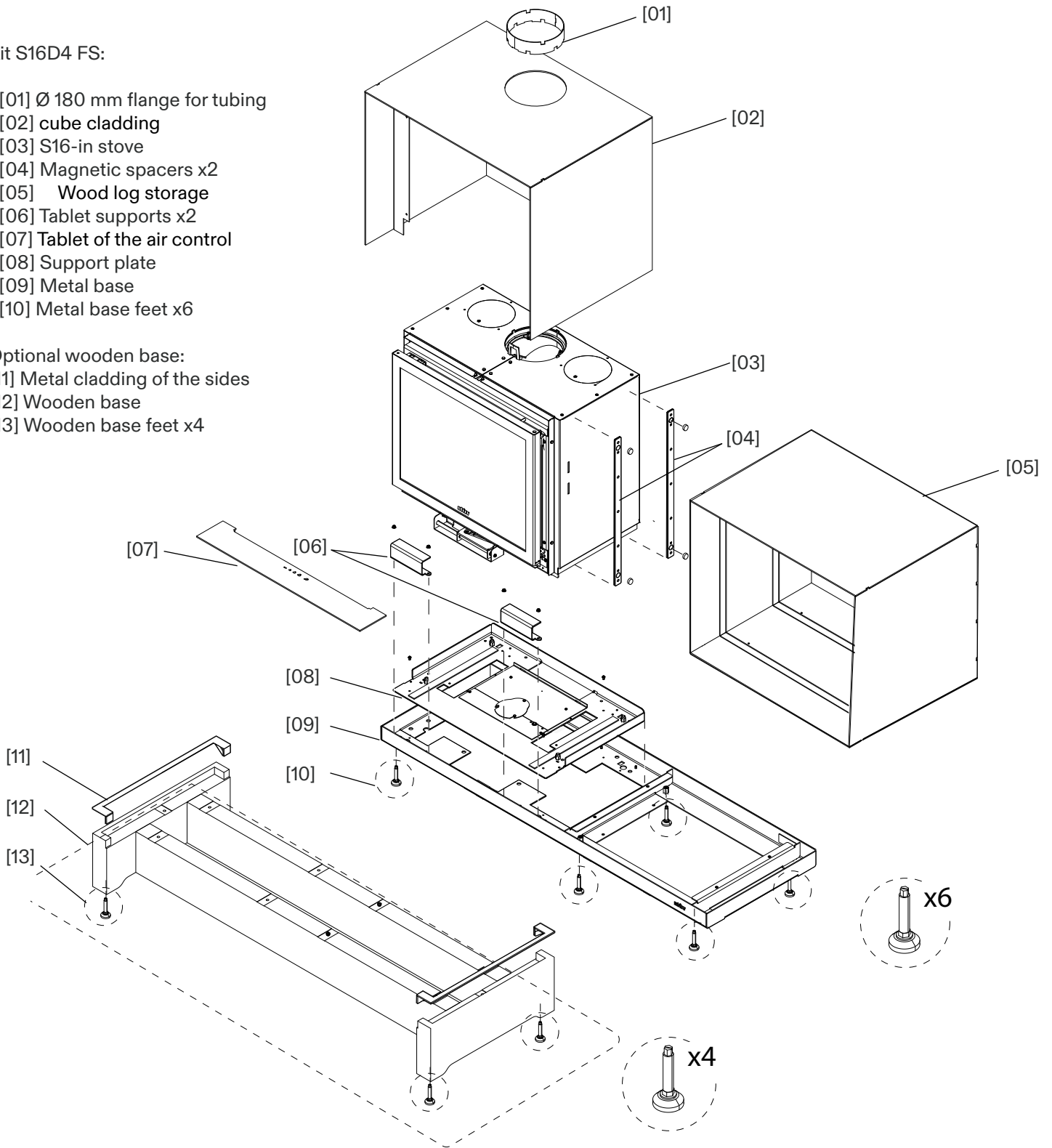
2. Overview

Kit S16D4 FS:



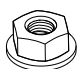



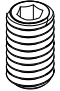
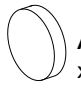
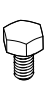

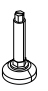
- [01] Ø 180 mm flange for tubing
- [02] cube cladding
- [03] S16-in stove
- [04] Magnetic spacers x2
- [05] Wood log storage
- [06] Tablet supports x2
- [07] Tablet of the air control
- [08] Support plate
- [09] Metal base
- [10] Metal base feet x6

Optional wooden base:

- [11] Metal cladding of the sides
- [12] Wooden base
- [13] Wooden base feet x4

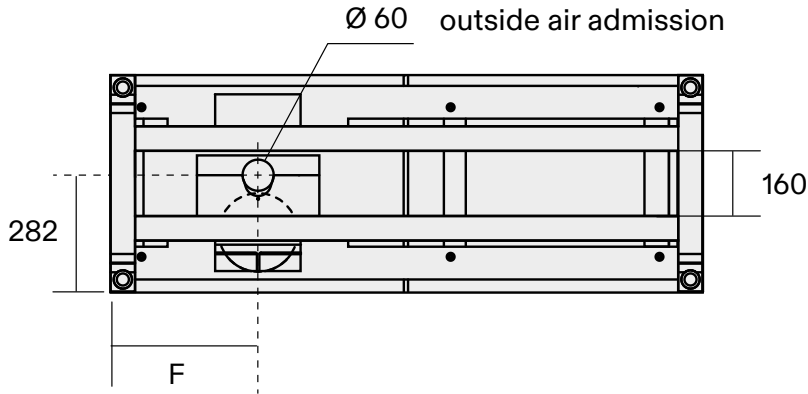


Fastener details

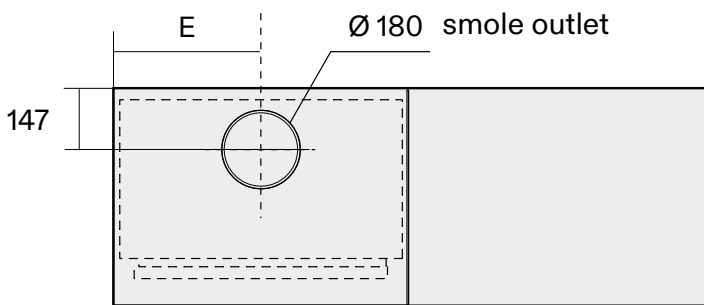
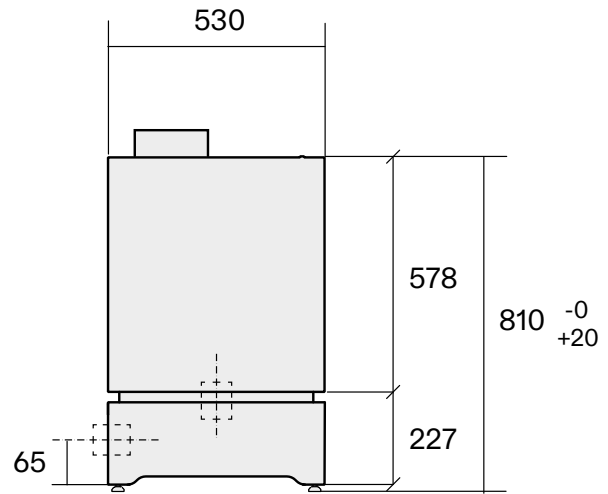
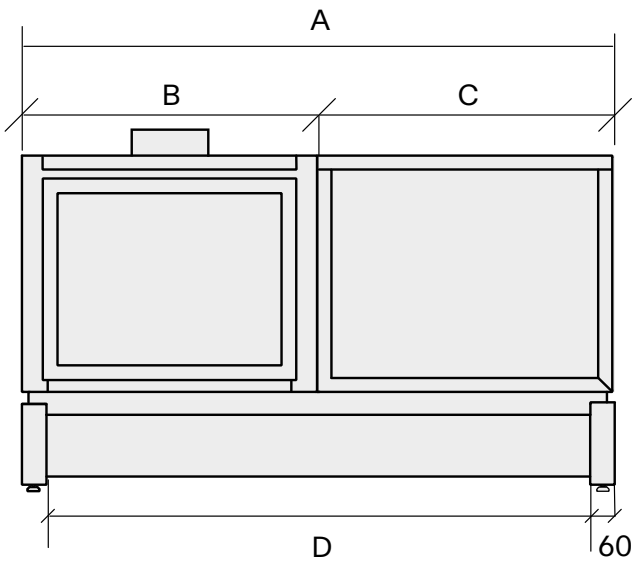
 M5 x4	 M10 x4	 M5 x4	 M6 x8	 M5x8 x8	 Pieds base métal x6
 Vis sans-tête M5 x4	 Aimants x4	 M5x8 x2	 M5x20 x8	 Pieds base bois x4	

3. Dimensions

3.1. Dimensions with optional wooden base



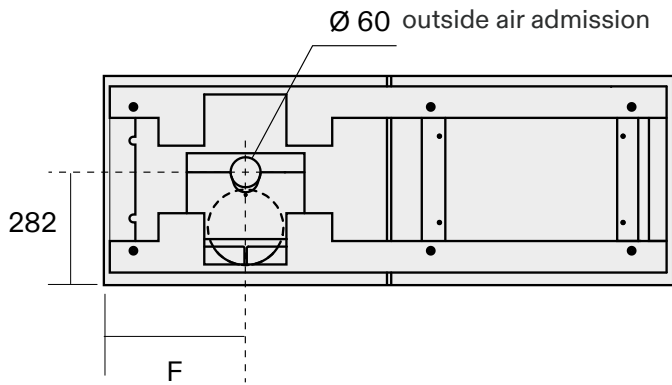
	1658	1668	1678
A	1250	1450	1650
B = C	625	725	825
D	1330		
E	310	360	410
F	310	360	410



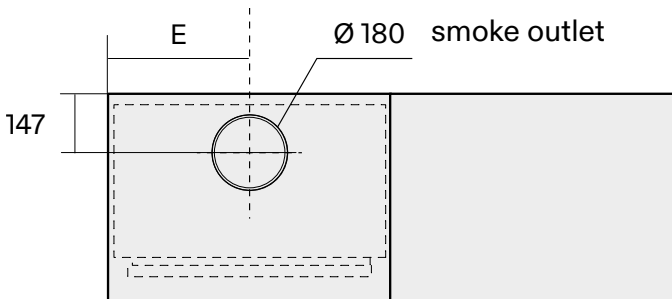
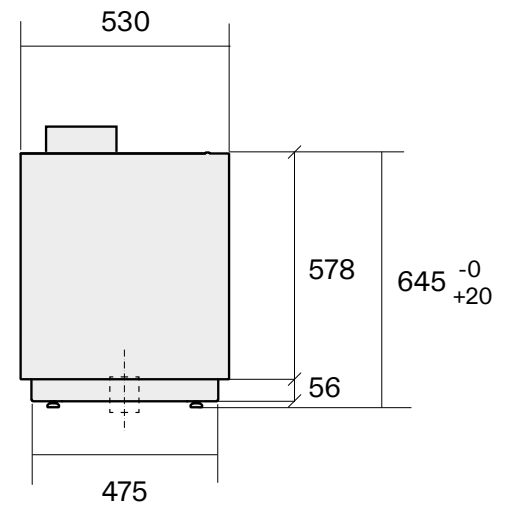
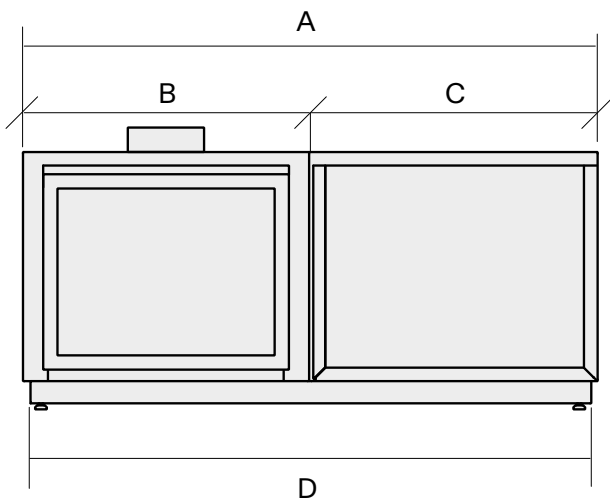
The **Stûv 16D4 free-standing stove** is available in the 3 formats of the original Stûv 16 range.

Please refer to the data table above for the corresponding model.

3.2. Dimensions for custom installations (order without optional wooden base)



	1658	1668	1678
A	1250	1450	1650
B = C	625	725	825
D	1218	1418	1618
E	310	360	410
F	310	360	410



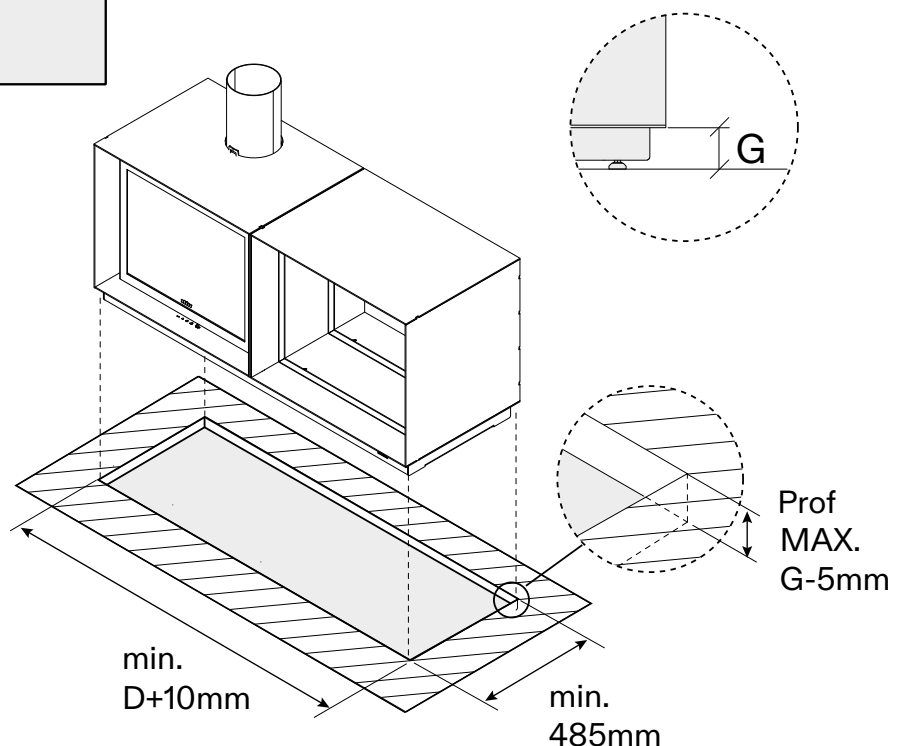
IT IS IMPERATIVE TO RESPECT
the niche dimensions below.

The **Stûv 16D4 free-standing for custom installation** is available in the 3 formats of the original Stûv 16 range. Please refer to the data table above for the corresponding model.

⚠ Warning

The heat causes the expansion of the stove.

It is imperative to leave a clear space between the base of the stove and the structure into which it is integrated!



Installation



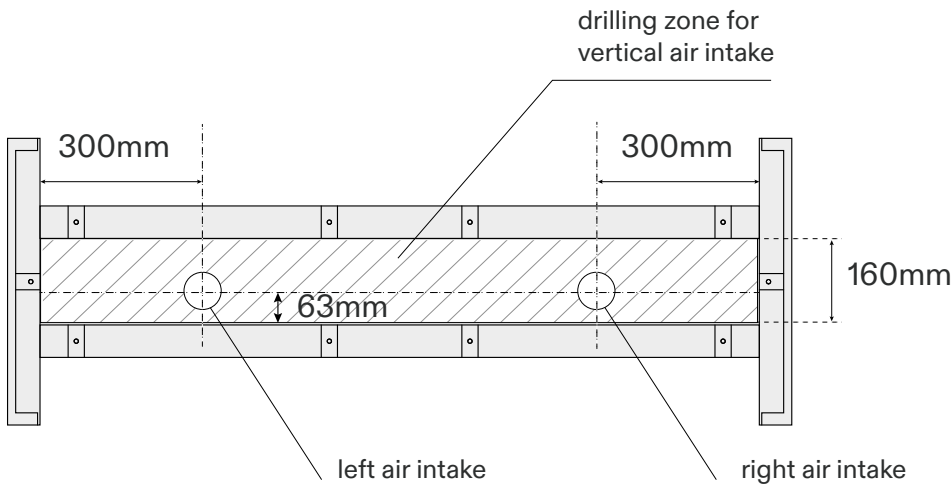
Stûv recommends that each installation complies with installation standards EN 15287-1 or -2 and that a calculation note is drawn up in accordance with standard 13384-1 and its appendix to ensure that the appliance does not operate in a condensation regime. This calculation must include the appliance's target power range. Check that your flue complies with standards EN1856-1 and EN 14989-2, which specify the characteristics of metal flues.

1. Air intake installation

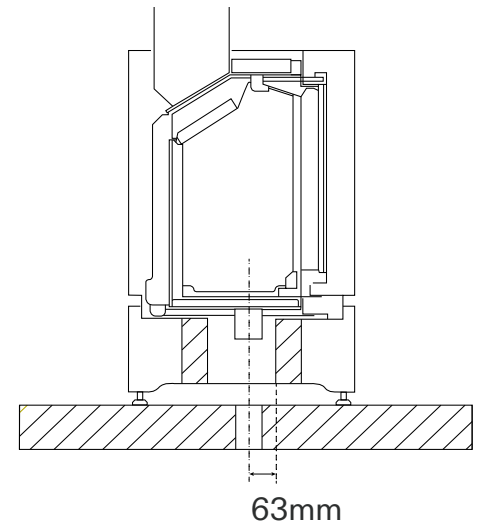
The stove requires air for combustion and is configured initially to draw air from the room. If you prefer to connect to outside air, please chose one of the 2 options below and proceed as described.

1.1. Lower air intake

TOP VIEW :



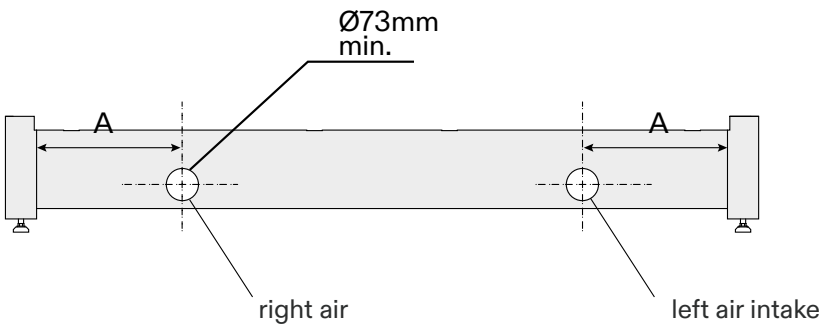
SIDE VIEW :



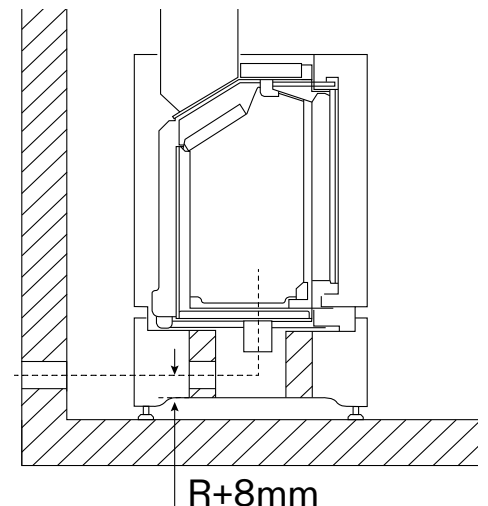
1.2. Rear air intake

⚠ If you opt for a rear air intake, make the cut-out (left or right) according to the position of the stove.

TOP VIEW :



SIDE VIEW :



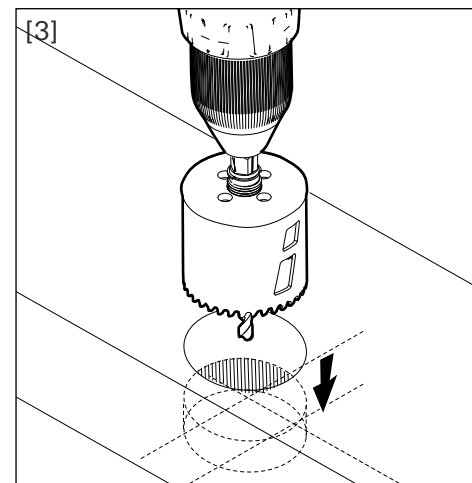
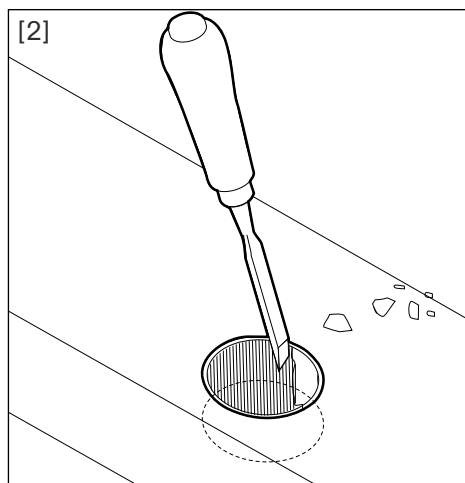
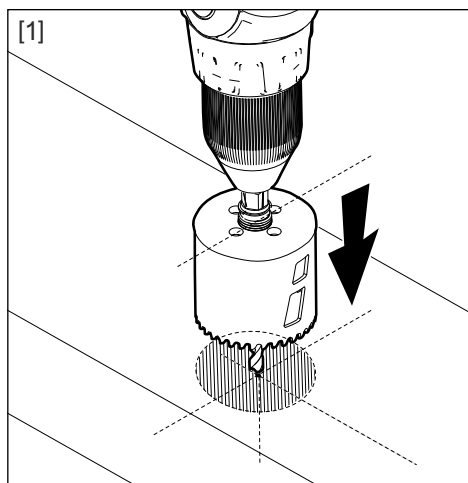
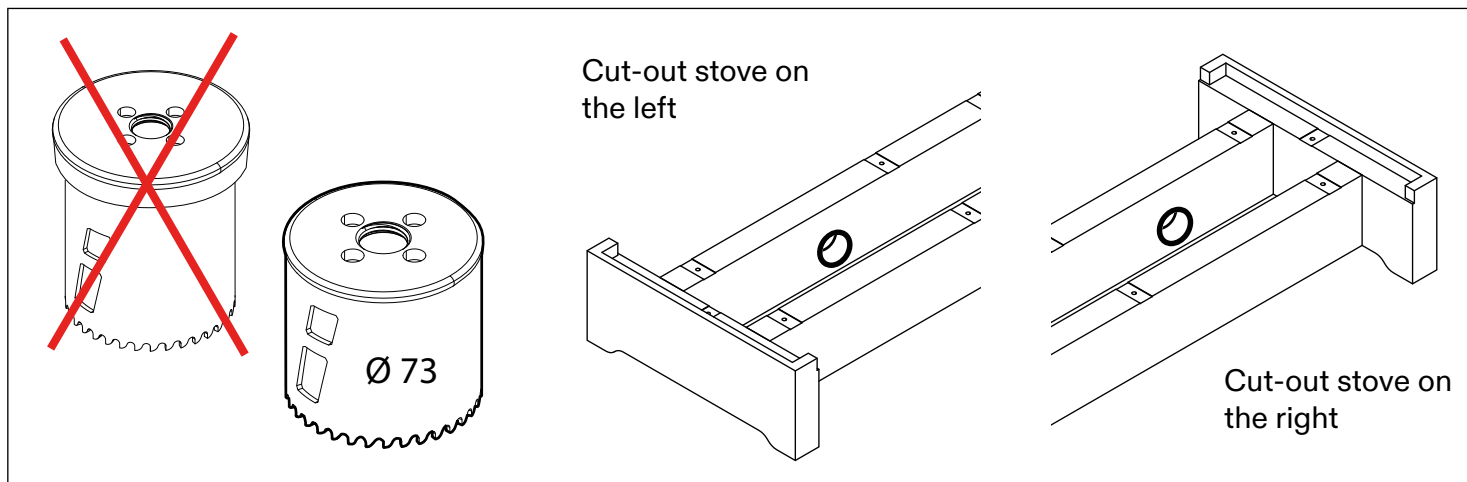
	1658	1668	1678
A	250 mm	300 mm	350 mm

3. Wood base preparation (option)

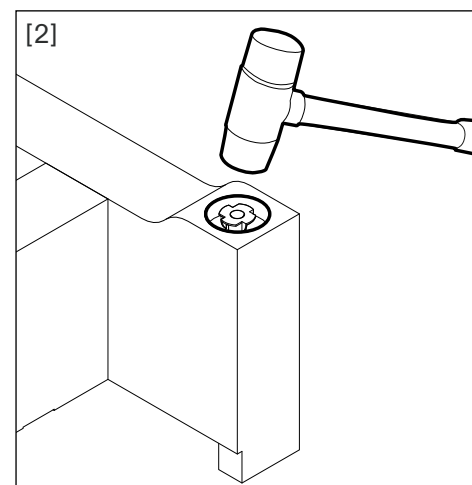
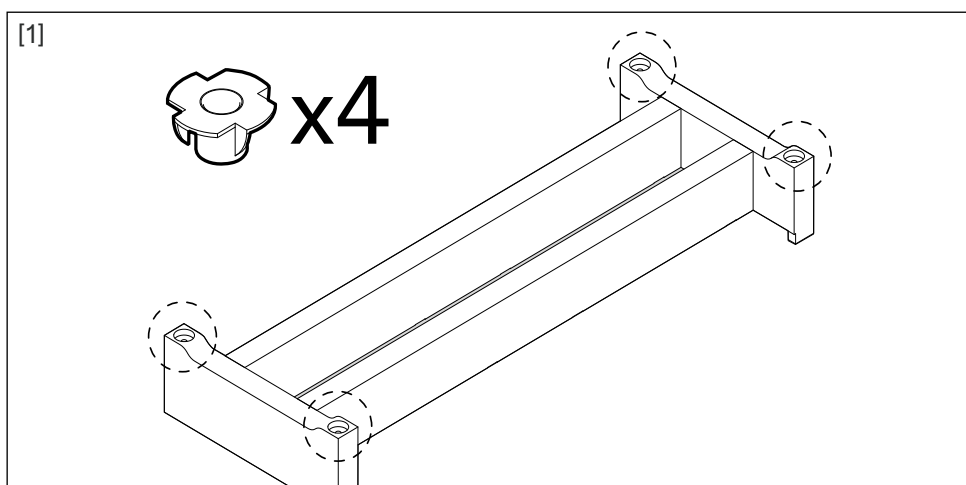
3.1. Hole saw cutting (rear air intake only)

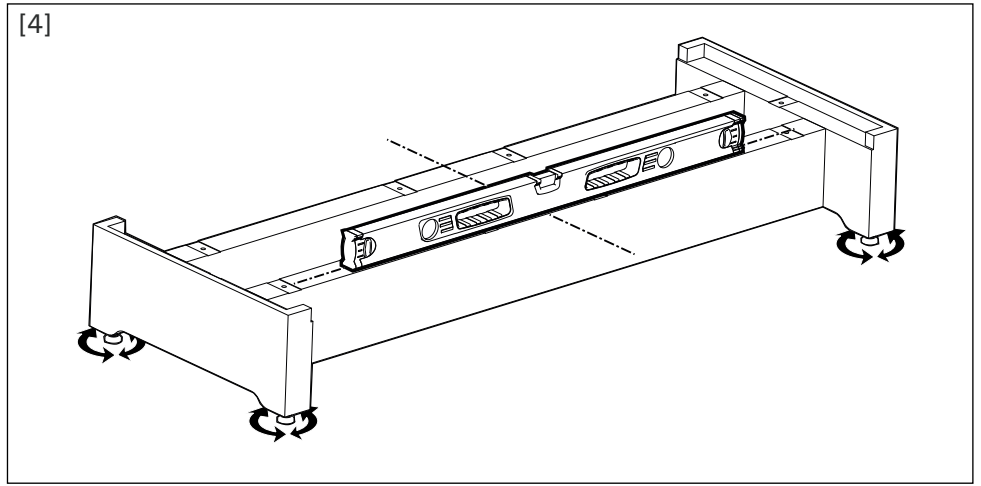
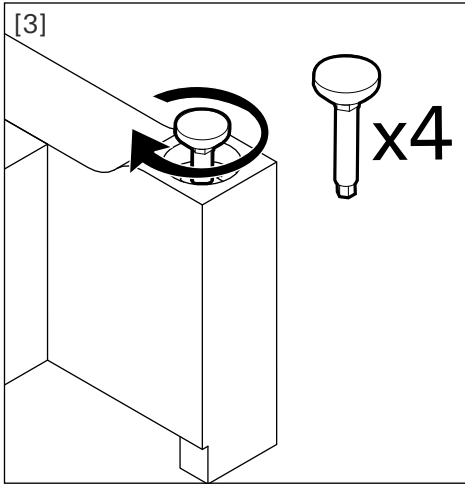
⚠ If your installation requires a rear air intake, please make the cut-out as described below.

Note: the cut is made in 2 passes [diagrams 1 and 3].



3.2. Fixing the feet

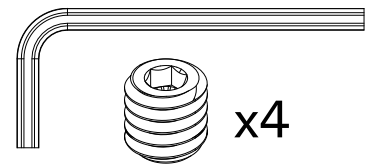
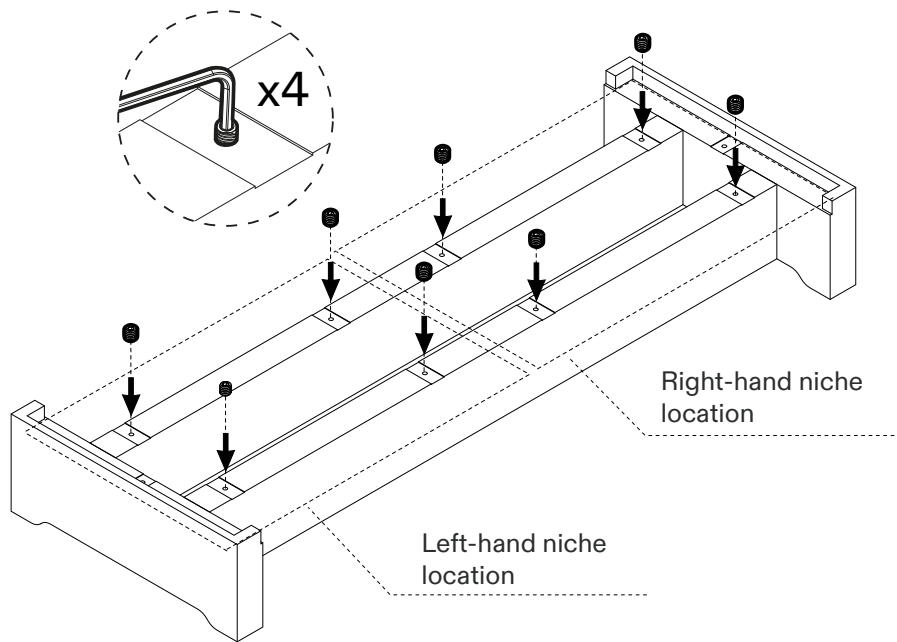




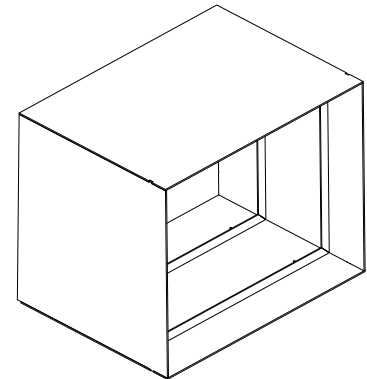
5. Placement of the metal base and the support plate

5.1. Definition of the niche side

⚠ Fixing the 4 threaded inserts will determine the future position of the niche ! (niche on the left or on the right)



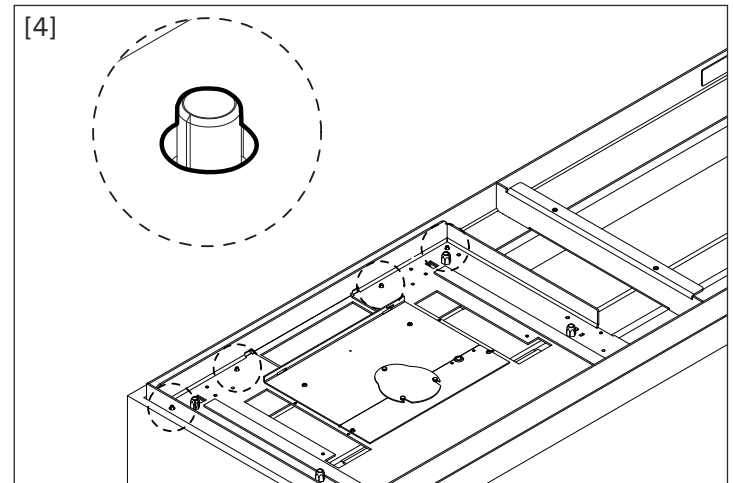
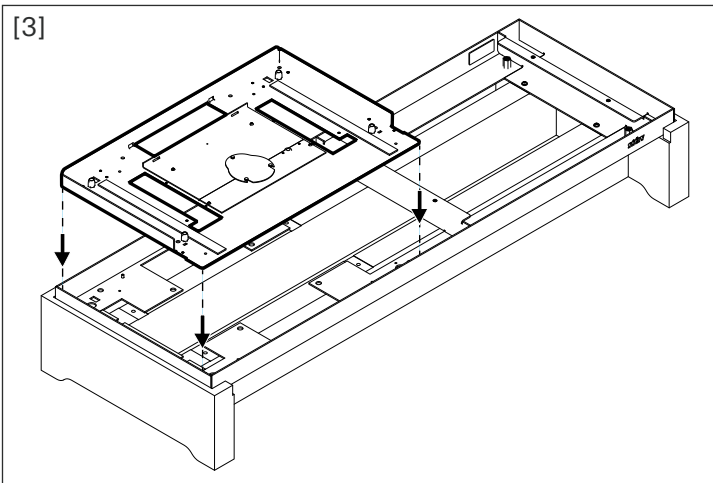
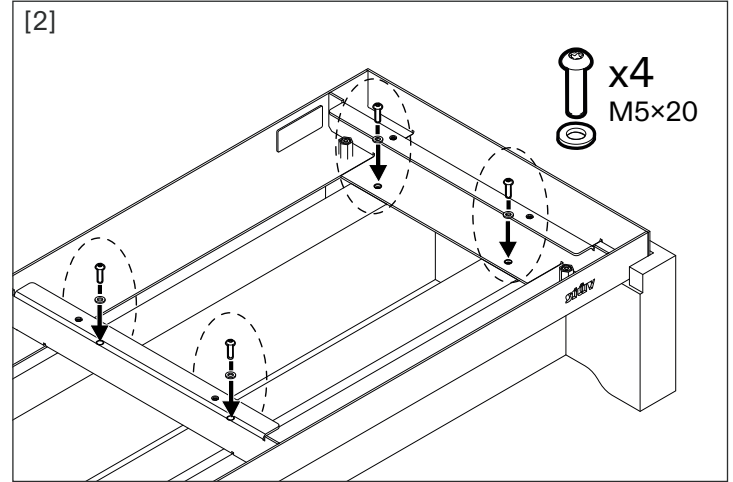
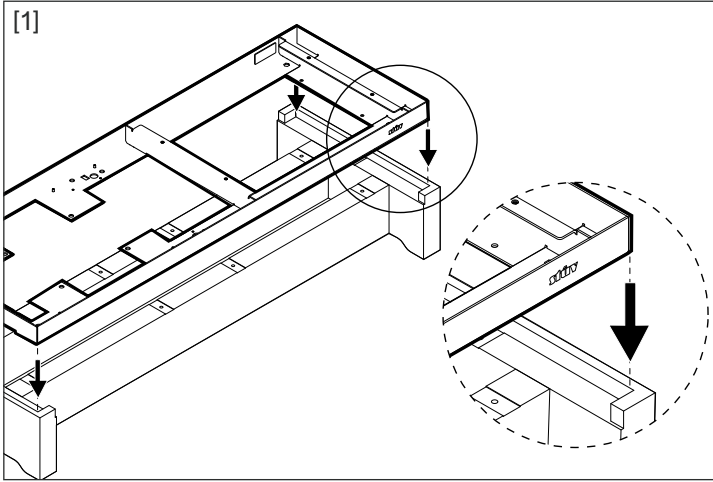
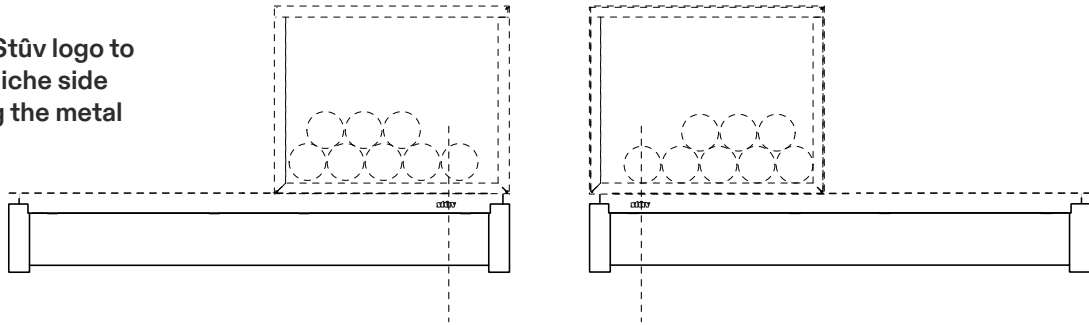
⚠ Position the 4 threaded inserts on the niche side.

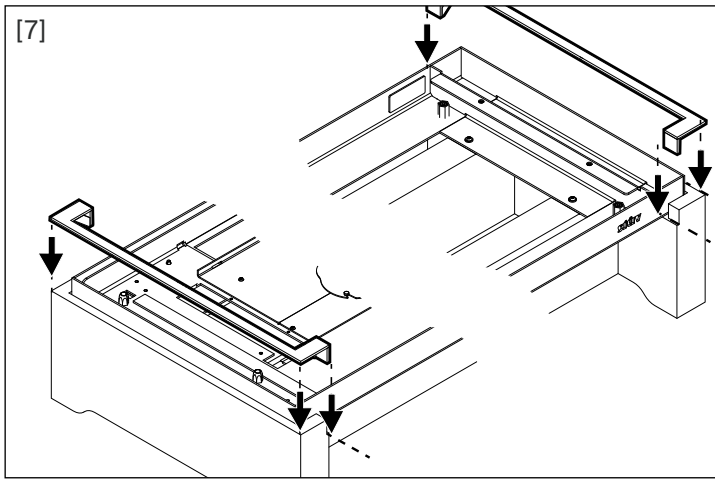
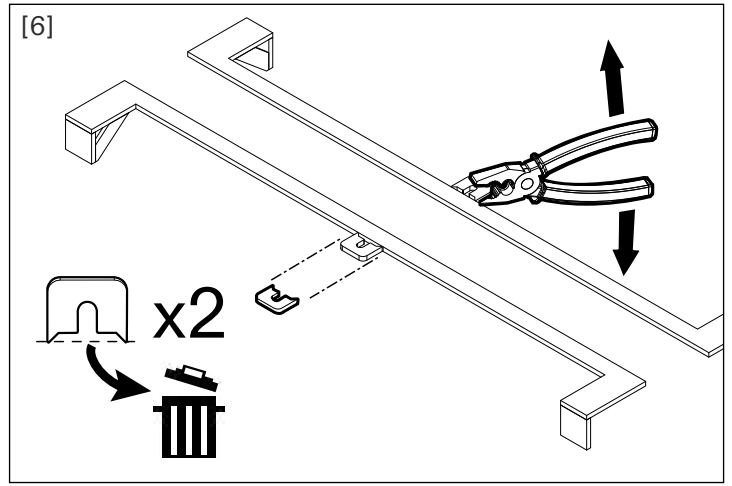
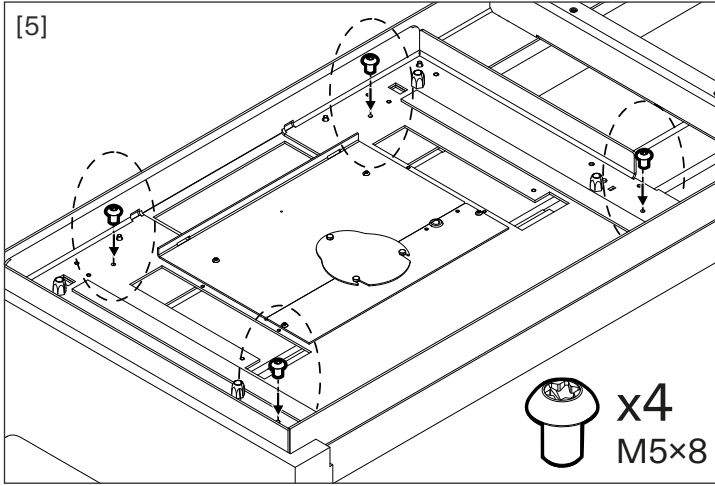


5.2. Placement



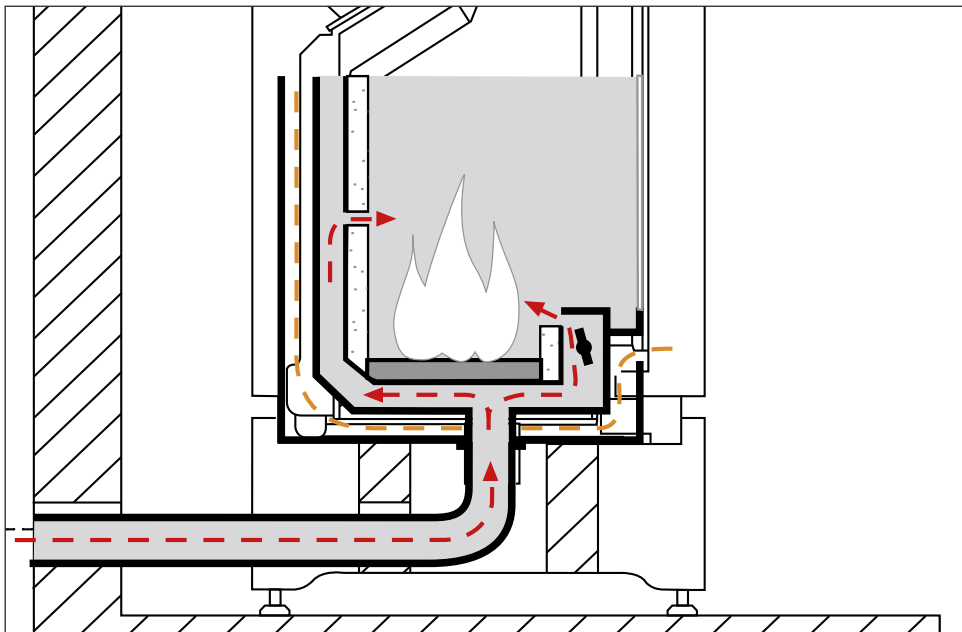
Refer to the Stûv logo to identify the niche side when placing the metal base!

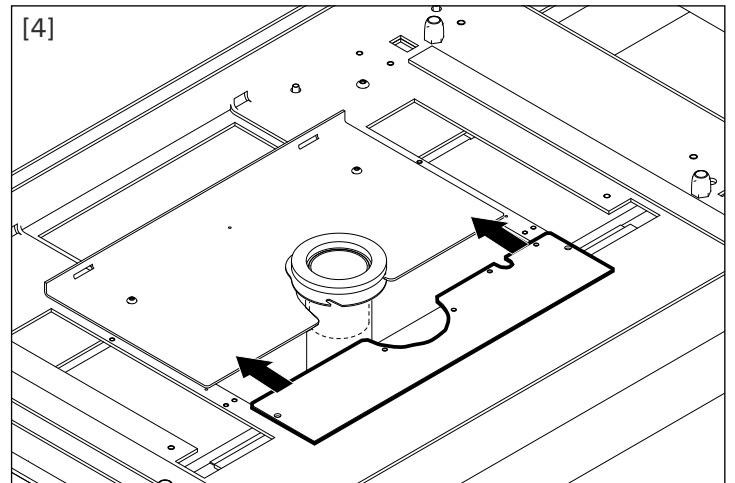
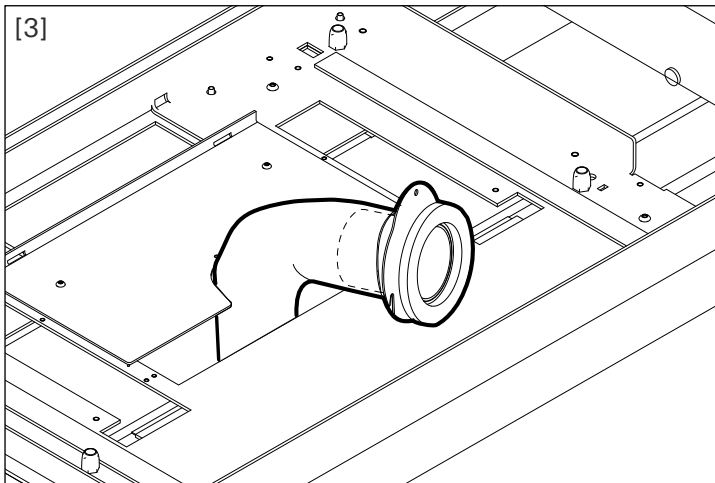
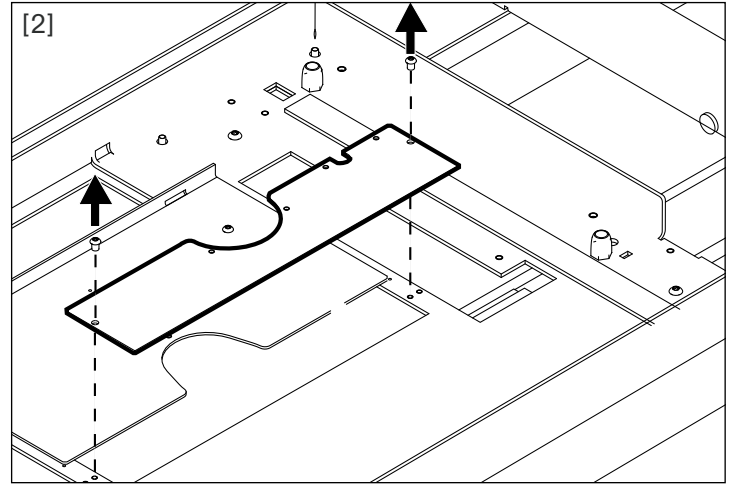
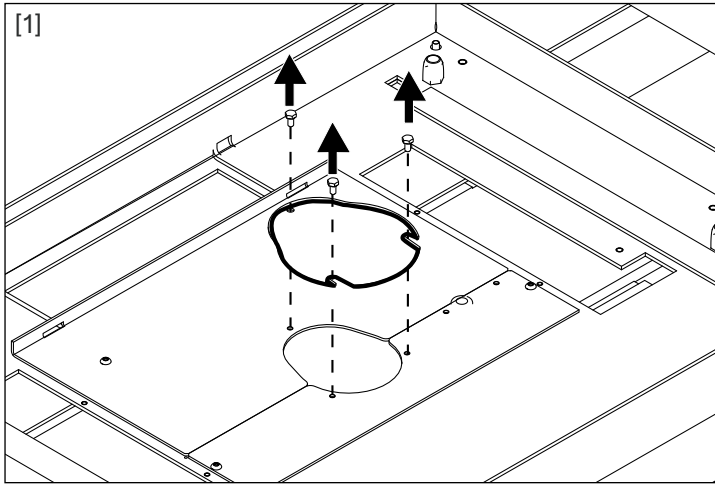




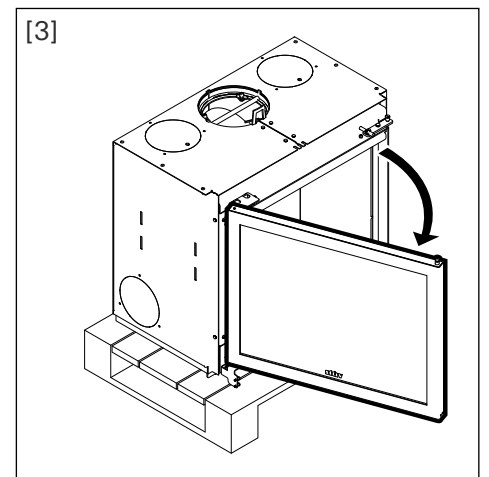
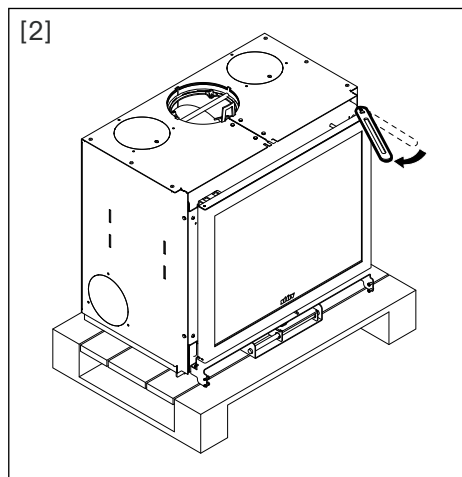
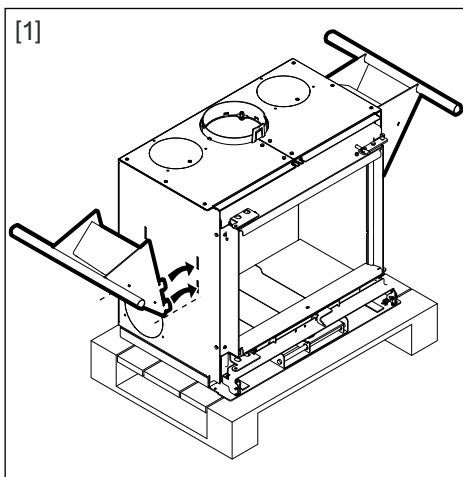
7. Configuration four outside air supply

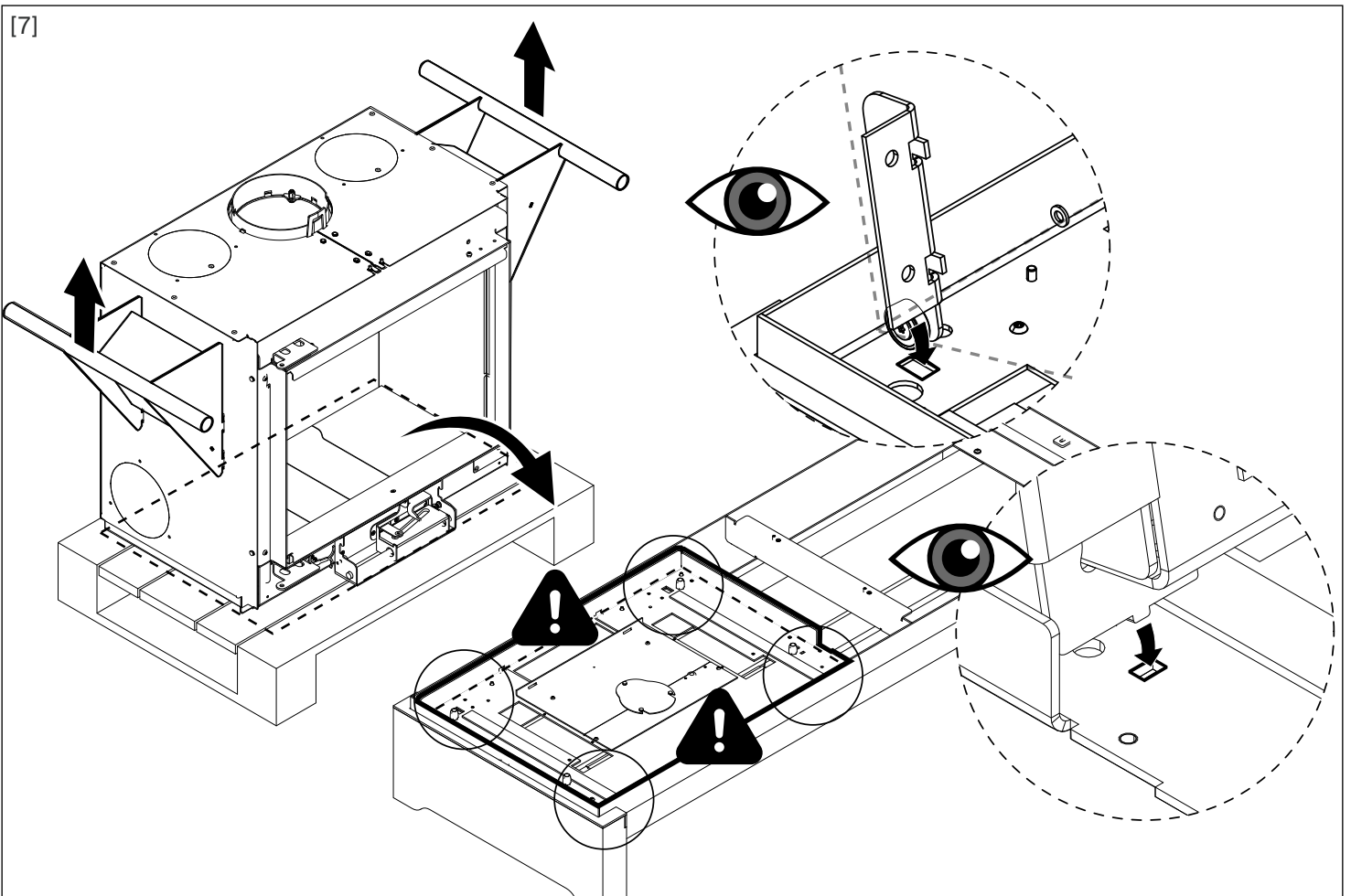
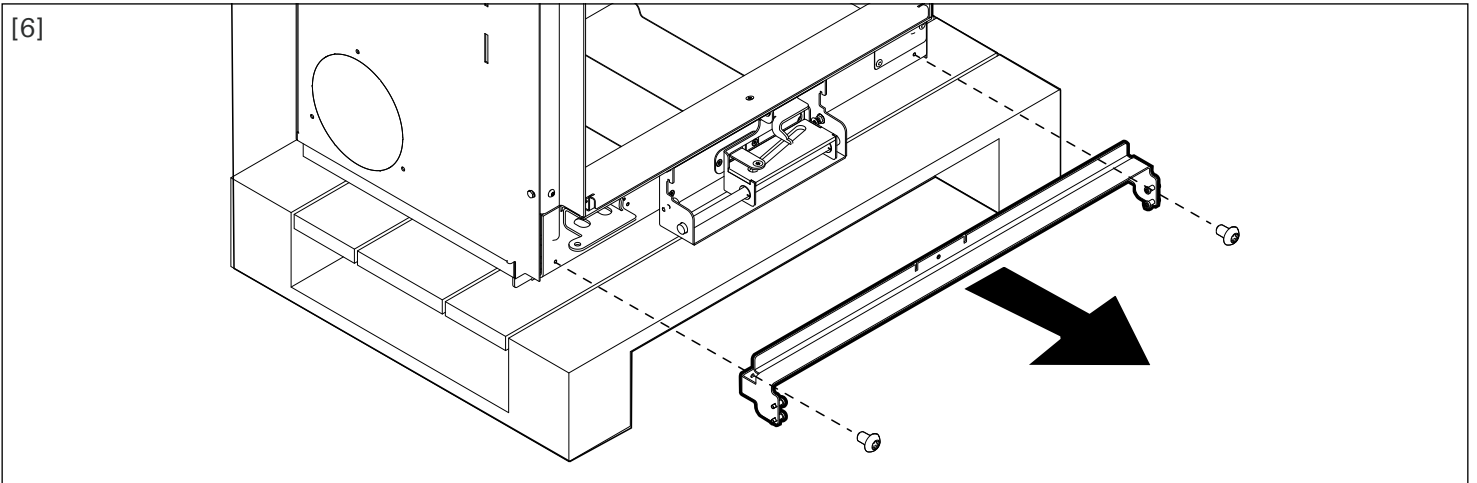
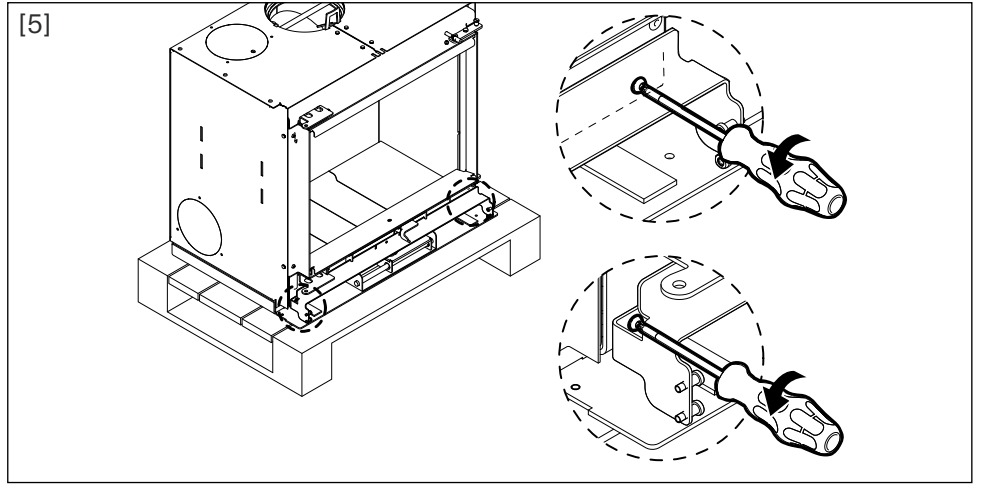
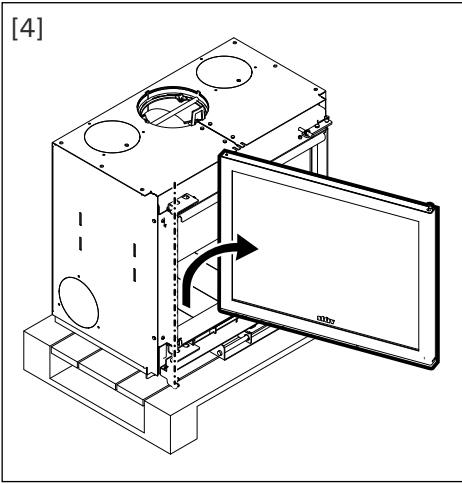
! If you wish to take the combustion air from outside, install the air intake sleeve before installing your appliance!
For further help, please refer to the instructions supplied with the stove.

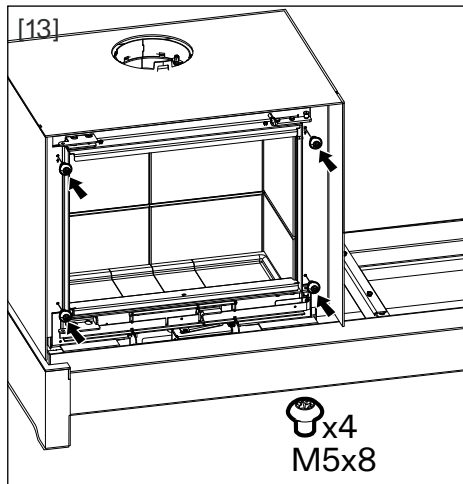
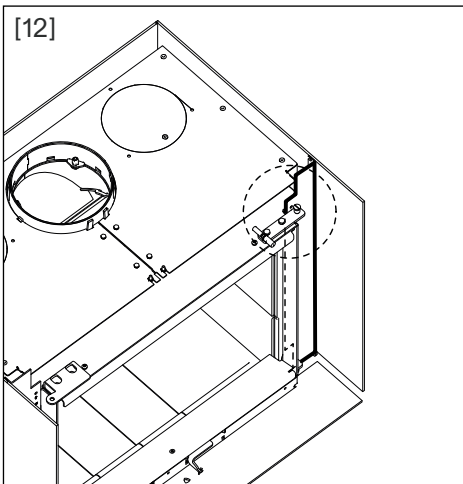
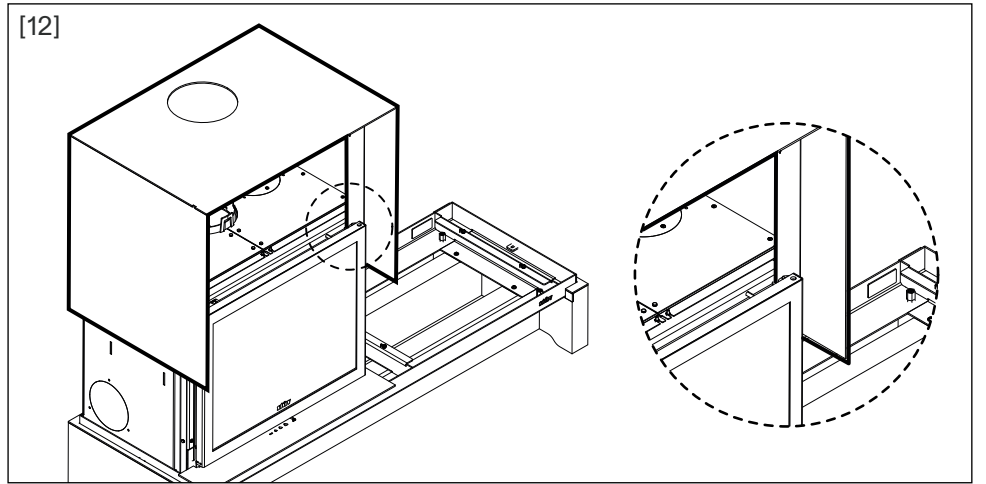
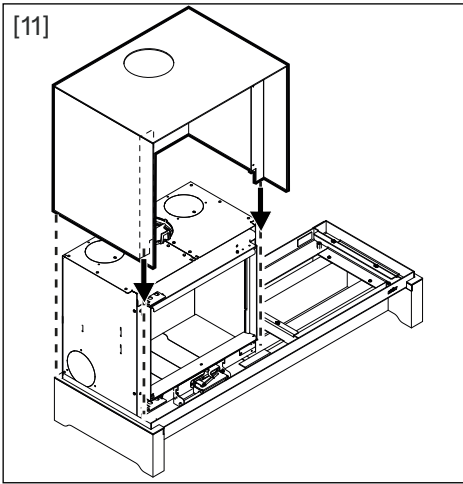
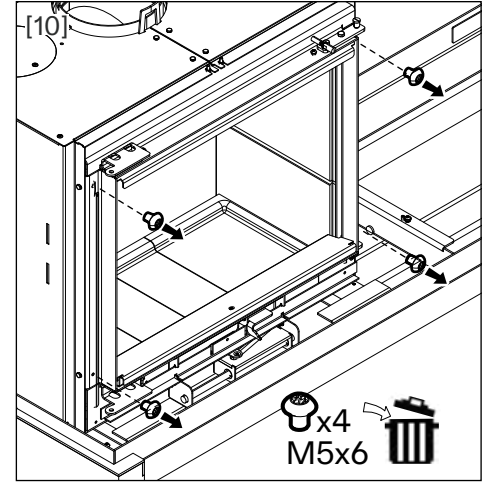
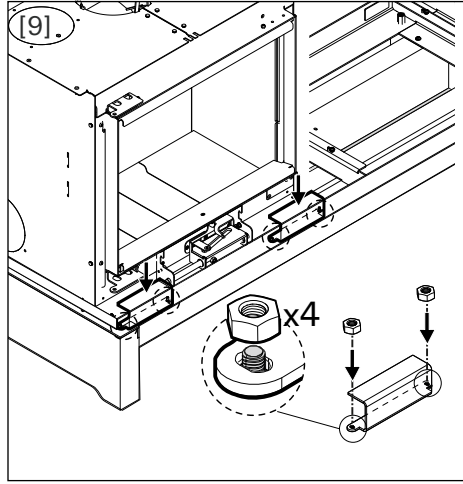
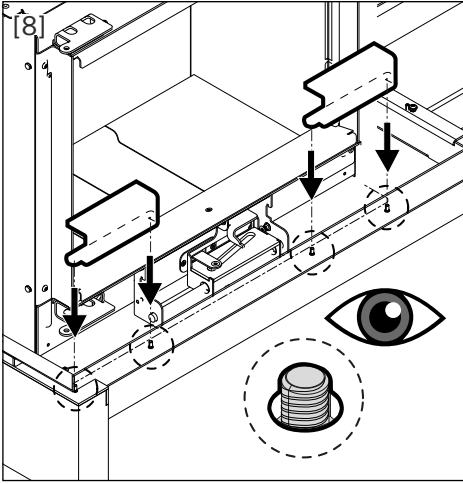




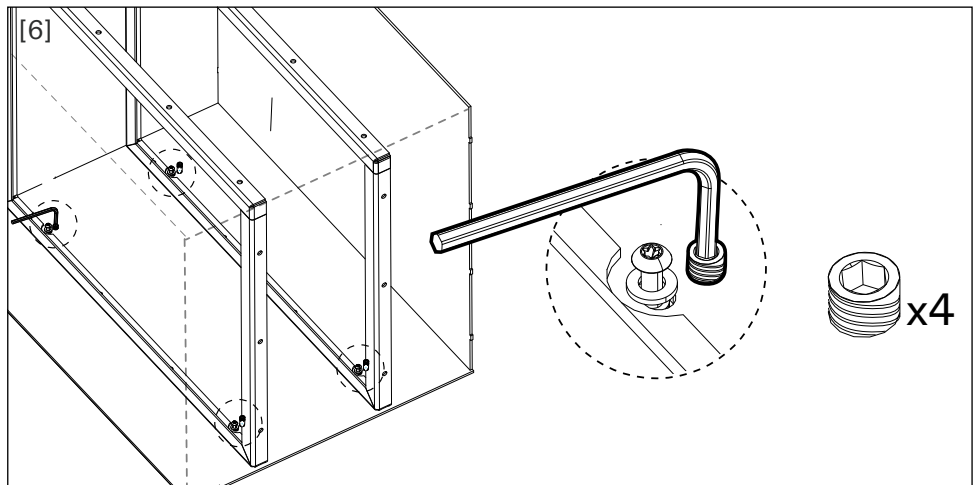
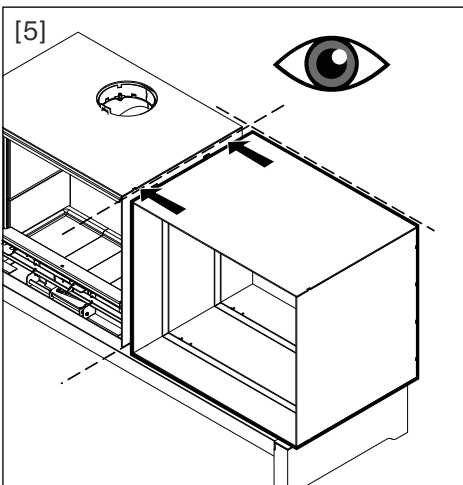
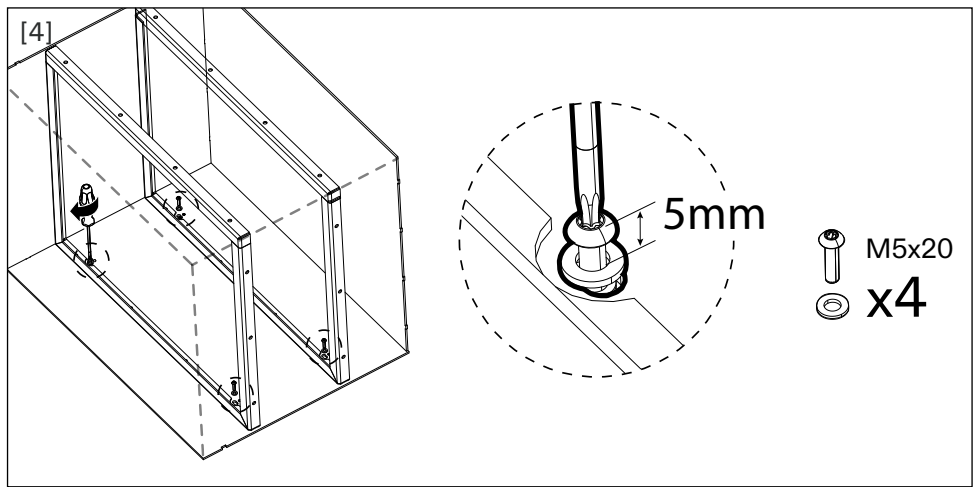
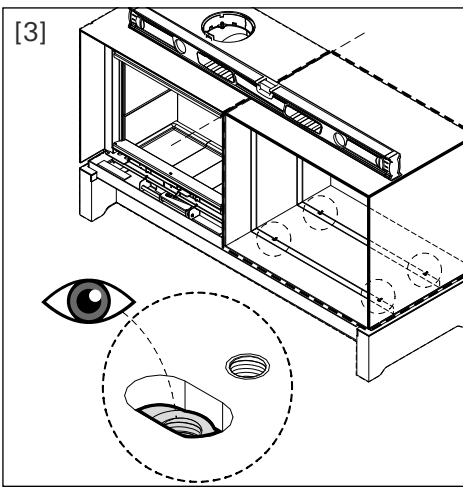
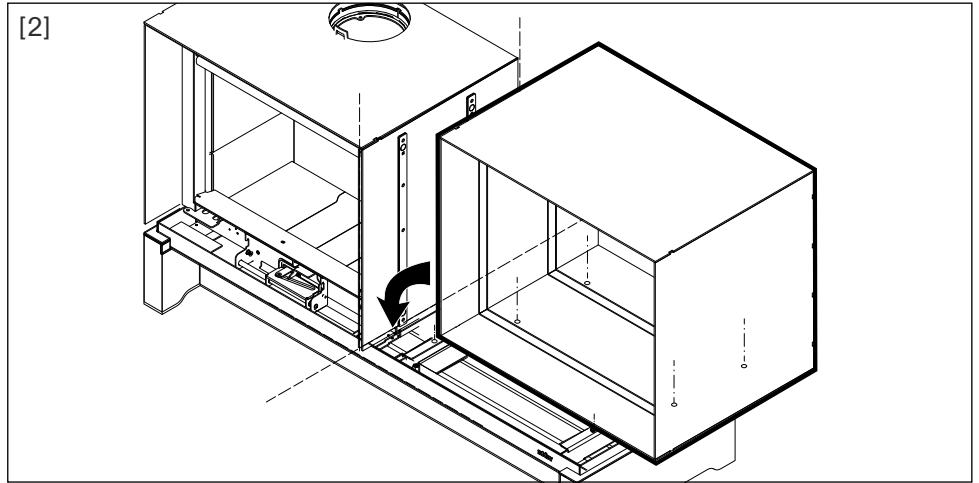
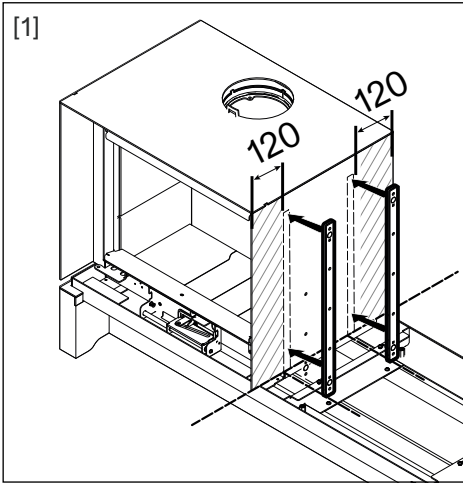
8. Placement of the stove on its support plate

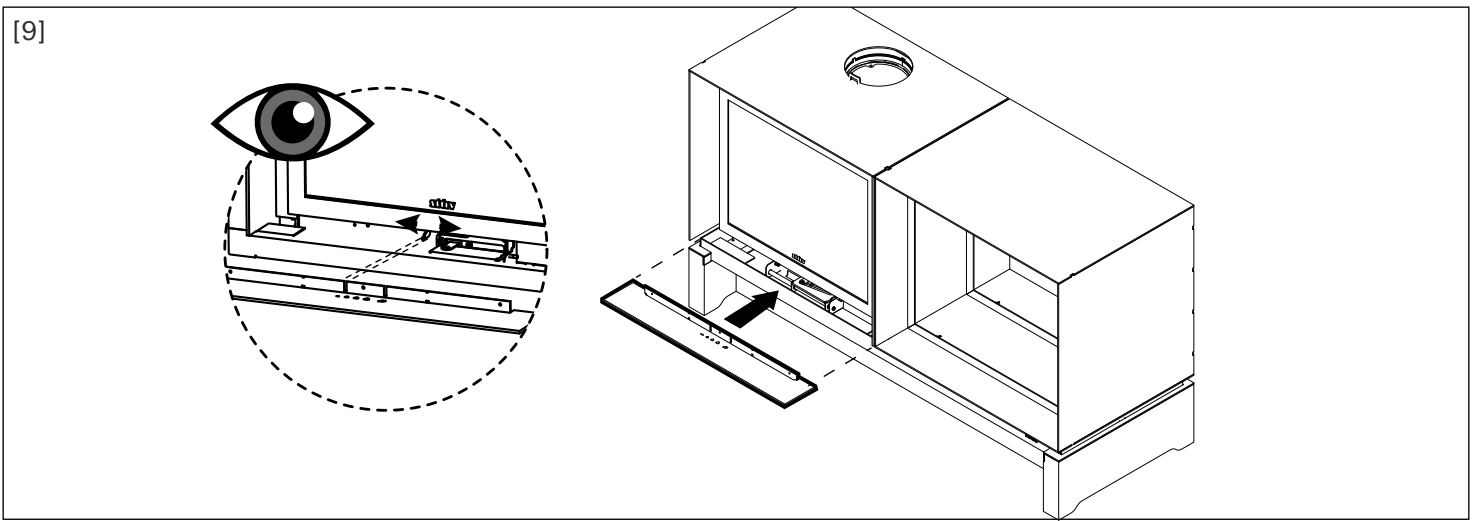
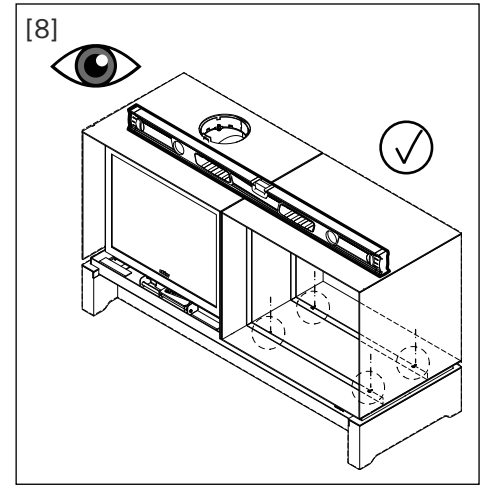
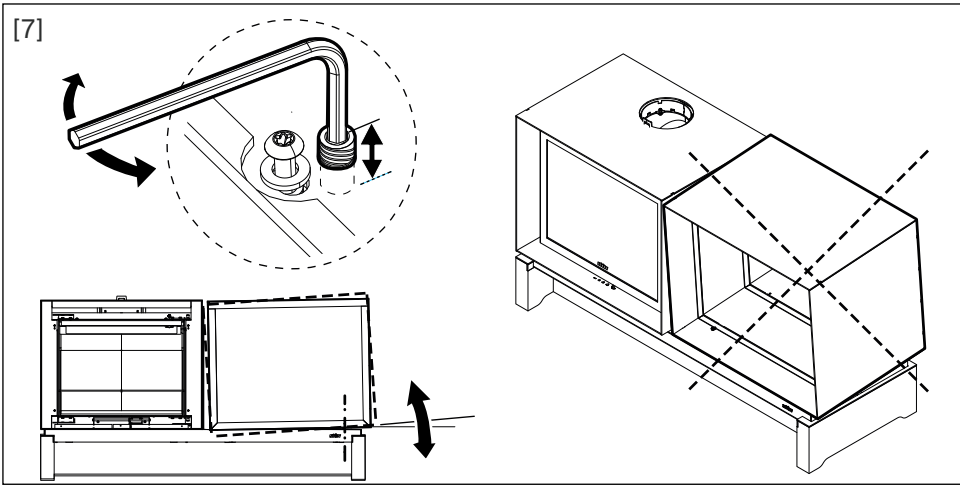




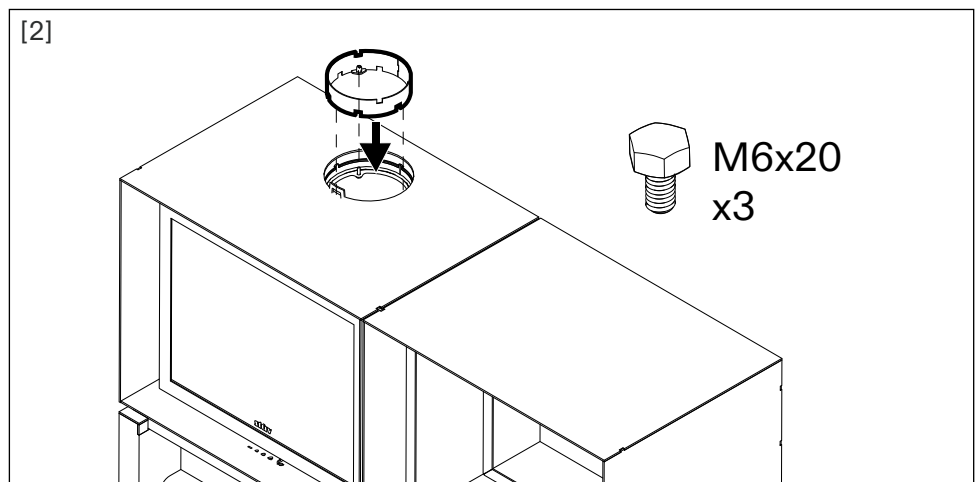
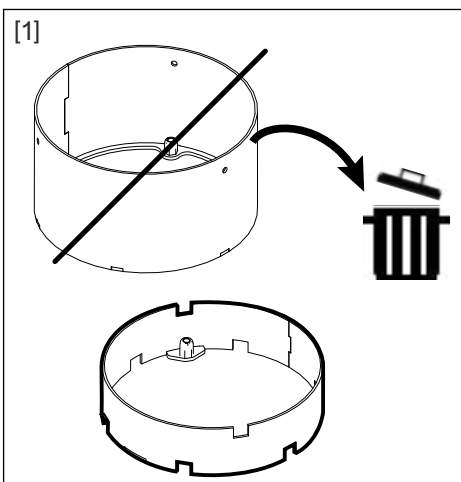


9. Placement of the niche





10. Positioning of the flue outlet



11. Maintenance

Please note

Wait for the stove to cool down completely before carrying out maintenance.

Clean with a dry cloth.

To clean your stove finishing surfaces, use traditional, non-abrasive household detergent.

Never use solvents (acetone, white spirit). Marks left by indelible markers cannot be removed.

If necessary, Stûv can provide a spray canister for touch-up work.

Please contact your dealer about this.

Contact

Stûv stoves are designed and manufactured in Belgium by:

Stûv S.A.

Rue Jules Borbouse 4,
B-5170 Bois-de-Villers (Belgium)
info@stuv.com - www.stuv.com

Stûv reserves the right to make changes without prior notice.

[NL] [DE] [IT] [ES] [PT] [CZ] [EN] [FR] [SV]
This document is available in several languages:
Contact your distributor or visit www.stuv.com

These instructions have been produced with the greatest of care. However, we do not accept responsibility for any errors that may have been made

Editor:
Gérard Pitance – rue Jules Borbouse 4
– 5170 Bois-de-Villers – Belgium